

4

3

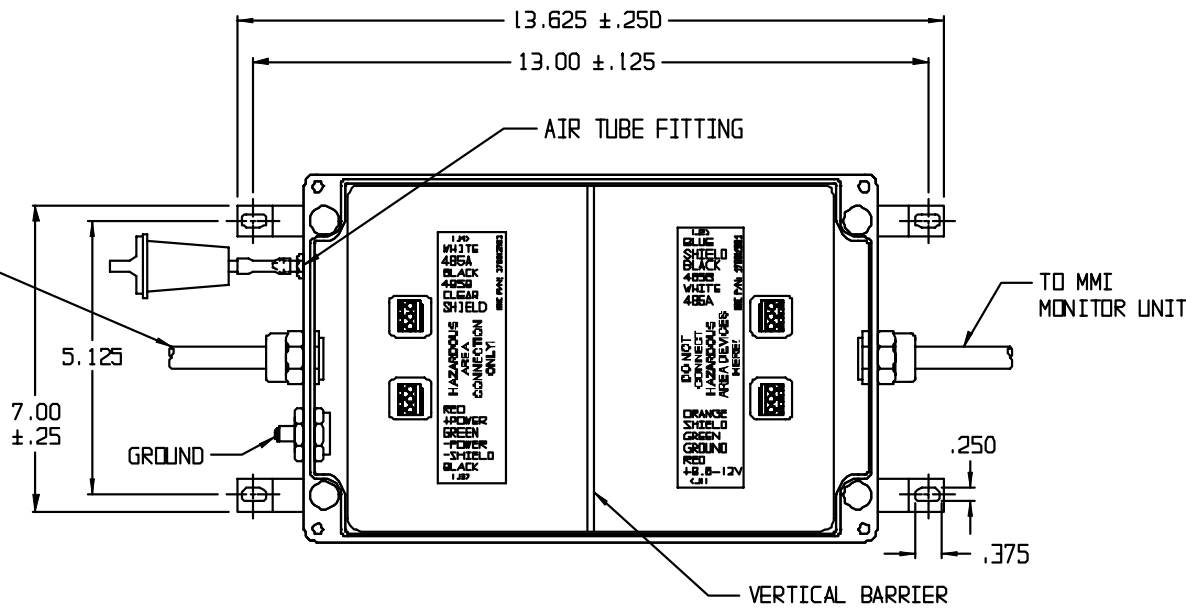
2

1	2	3	4	5	6	7	8	9	10
---	---	---	---	---	---	---	---	---	----

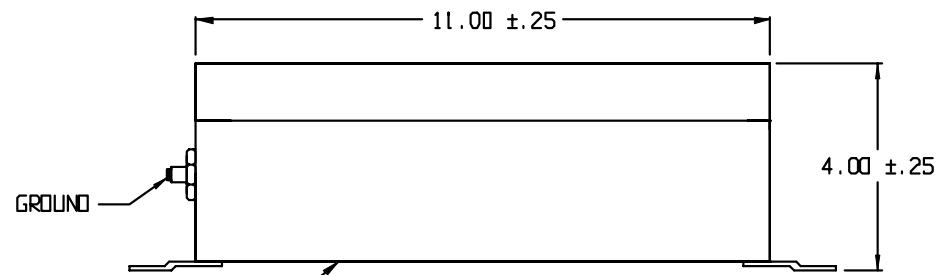
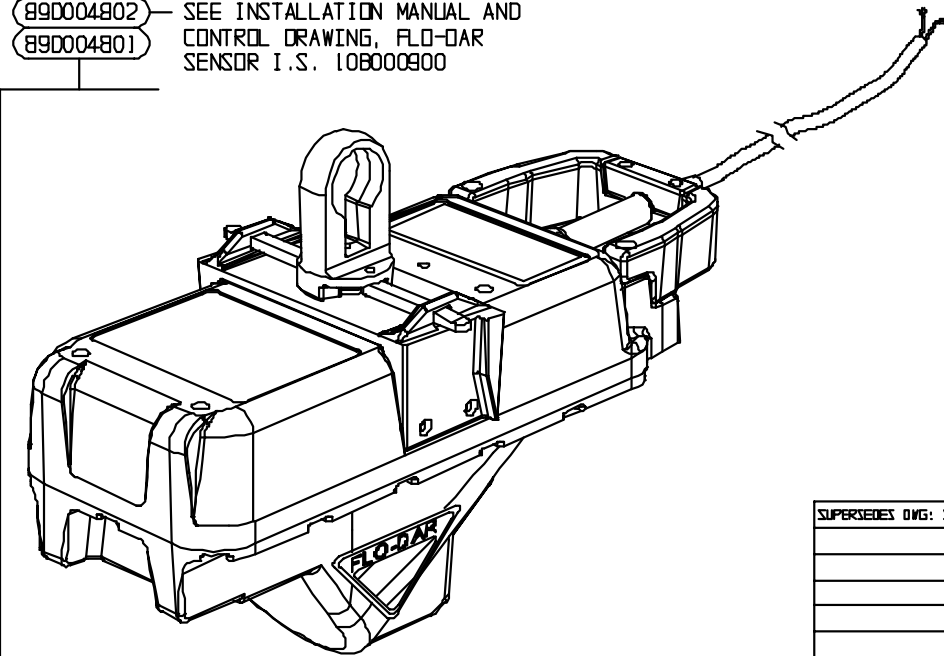
REVISIONS							
ZONE	REV	ECN	DESCRIPTION	DRFT	DATE	CHKD	APPD
	A	3008	RELEASED		06-13-00	JRR	JRR
	B	3008	CHANGED CONNECTOR		07-07-00	JRR	JRR

- NOTES:
1. INSTALL SENSOR PER SENSOR INSTALLATION MANUAL.
 2. WIRING AND INSTALLATION SHALL COMPLY WITH NATIONAL ELECTRICAL CODE.
 3. WIRING MUST NOT CROSS VERTICAL BARRIER IN ENCLOSURE.

INSTALL SENSOR CABLE IN FEED-THROUGH, CONNECT PER LABEL, INSTALL AIR TUBE INTO FITTING



- 89D004803 INTRINSICALLY SAFE FLD-DAR SENSOR ASSEMBLY
- 89D004802 SEE INSTALLATION MANUAL AND CONTROL DRAWING, FLD-DAR
- 89D004801 SENSOR I.S. 10800900



890004701
I.S. BARRIER BOX, FLD-DAR, ASSY
SEE CONTROL DRAWING, I.S. BARRIER 108001200 AND INSTALLATION MANUAL FOR INSTALL INSTRUCTIONS

SUPERSEDES DWG: 364-0103	UNLESS OTHERWISE SPECIFIED, DIMENSIONS ARE IN INCHES. TOLERANCES ON DECIMALS: 2 PLCS: 3 PLCS: ANGLES: ±.02 ±.005 ±2°	SIGNATURE	DATE	MARSH-McBIRNEY, INC. 4530 METROPOLITAN COURT FREDERICK, MARYLAND 21704
	DO NOT SCALE DRAWING	DRAWN BY J. BELLAVIA	06-13-00	
	MATERIAL:	CHK'D BY J. RIDGLEY	07-14-00	
	FINISH:	PROJ ENG J. RIDGLEY	07-14-00	
		PROD APPD P. FAECKE	07-14-00	
NEXT ASSEMBLY USED ON APPLICATION		QA APPD P. FAECKE	07-14-00	SIZE PART NO. C 108001101 DWG NO. 108 0011 01 SCALE: 1/2 FORM-C SHEET 1 OF 1

DWG NO. 108 0011 01

4

3

2

1